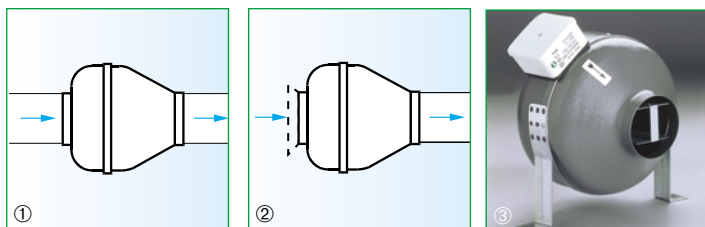


CA RANGE

LONG LIFE 30.000 h



- Suitable for commercial and industrial applications: kitchens, bathrooms, offices, laboratories, factories, stores, dry cleaners, shops, restaurants, bars, theatres, dance halls, etc.
 - Ball-bearing-mounted motor with external rotor motor and hand-operated resettable thermal cut out.
 - IMQ information label certifies third party product data and performance.
 - Complies with the CEI EN 60335-2-80 standard.
 - Turbine fan balanced directly on the motor.
 - Motor-holder made of steel and paint-finished with furnace-hammered epoxy powder for perfect weather protection.
 - Galvanized steel motor mounting brackets and air flow deflectors.
 - Speed can be adjusted using an optional controller.
 - Complete with fixing bracket.
- Wiring diagrams shown on page XXX.



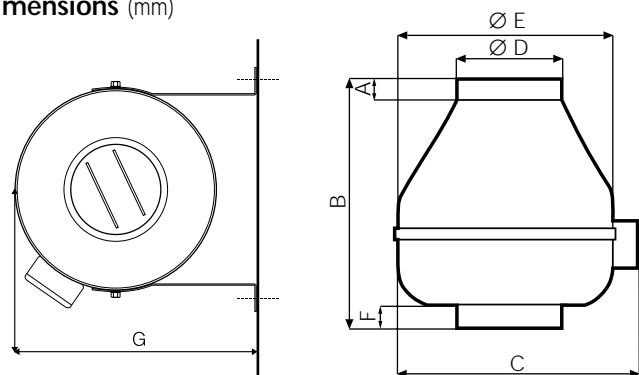
① ② The CA units can be mounted in any position. Standard diameters fit commercially available ducting.
 ③ New: mounting brackets included.

Product	Code	V	Hz	W	A	Rpm	Delivery		P max		Lp dB(A)* 3 m	Approvals	kg	Insulation	Protection	max °C	
							m³/h	l/s	mm H₂O	Pa							
CA 100	16000	220-240	50/60	85	0.4	2530	250	69.4	36	353	57		3		cl.I	X4	55
CA 100 Q	16001	220-240	50	40	0.19	1870	170	47.2	30	294	48		3		cl.I	X4	55
CA 125	16010	220-240	50/60	85	0.4	2390	360	100.0	32	314	57		2.8		cl.I	X4	55
CA 125 Q	16011	220-240	50	40	0.19	1480	210	58.3	29	284	43		2.8		cl.I	X4	55
CA 150	16020	220-240	50/60	85	0.4	2490	450	125.0	27	265	58		3.4		cl.I	X4	55
CA 160	16070	220-240	50/60	180	0.85	2670	780	216.7	60	588	65		5.6		cl.I	X4	50
CA 160 Q	16071	220-240	50	75	0.32	2440	550	152.8	35	343	61		4.5		cl.I	X4	55
CA 200	16040	220-240	50/60	180	0.75	2710	950	263.9	55	539	64		5.3		cl.I	X4	50
CA 200 Q	16030	220-240	50	75	0.33	2420	720	200.0	36	353	65		4.6		cl.I	X4	55
CA 250	16050	220-240	50/60	200	0.9	2540	1200	333.3	58	568	62		5.4		cl.I	X4	55
CA 250 Q	16051	220-240	50	120	0.51	1710	800	222.2	45	441	51		5.4		cl.I	X4	55
CA 315	16061	220-240	50/60	260	1.3	2550	1700	486.1	75	735	67		6.9		cl.I	X4	50
CA 315 Q	16060	220-240	50	130	0.59	2640	1300	361.1	54	529	64		6.7		cl.I	X4	55

* Values taken at the intake side with funnelled delivery and free intake

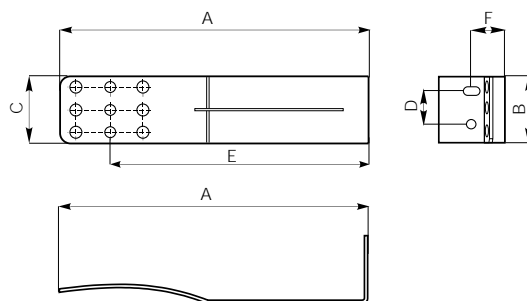
Conforms with ISO 3744 for noise and pressure levels

Dimensions (mm)



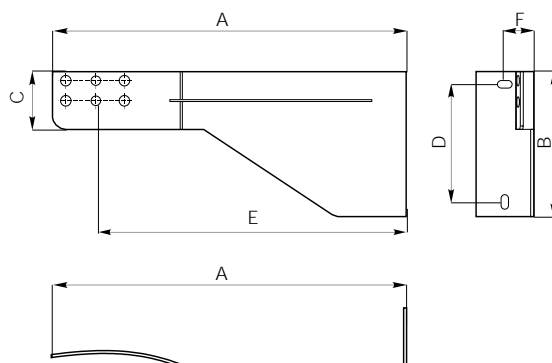
CA	A	B	C	Ø D	Ø E	F	G
CA 100	20	235	300	250	97	25	282
CA 125	20	235	300	250	122	25	282
CA 150	25	265	350	300	147	25	307
CA 160	30	287	390	340	157	25	386
CA 200	25	270	390	340	197	25	386
CA 250	25	280	390	340	247	40	385
CA 315 Q	40	325	450	400	312	71	416
CA 315	40	308	450	400	312	44	416

Galvanised sheet-metal brackets (100-125-150)



	A	B	C	D	E	F
Bracket	186	40	40	20	156	10

Galvanised sheet-metal brackets (160-200-250-315)



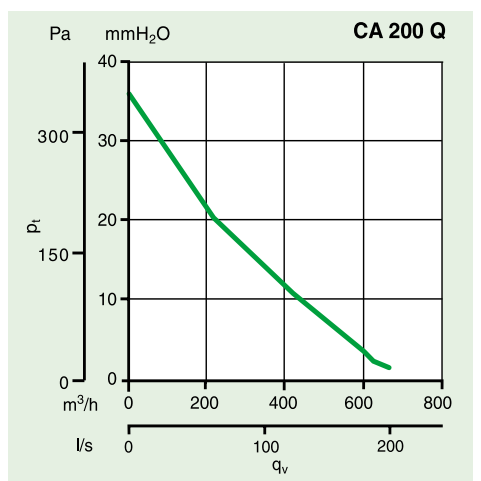
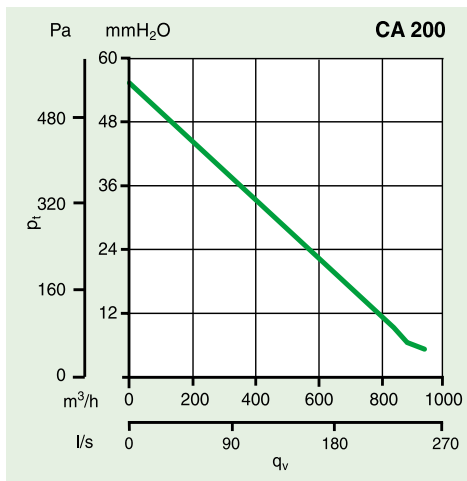
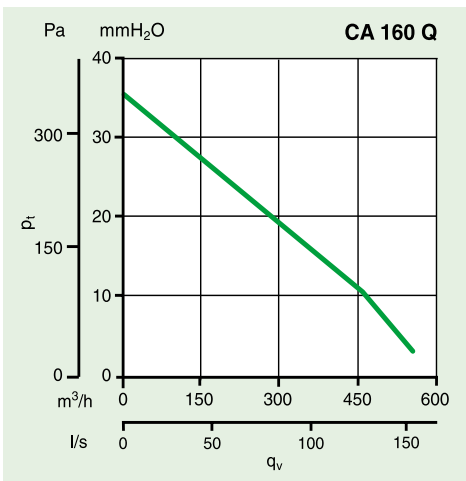
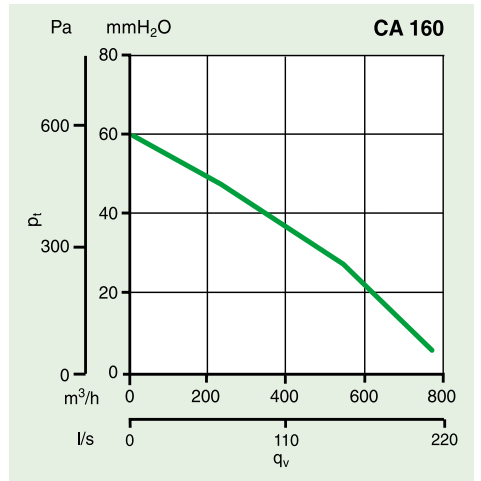
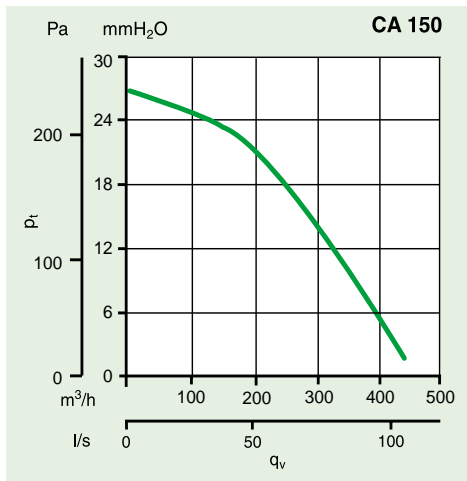
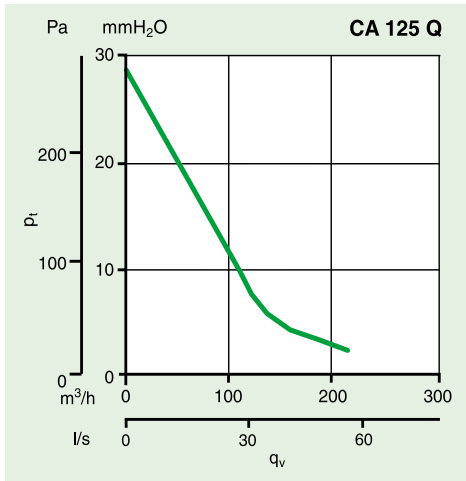
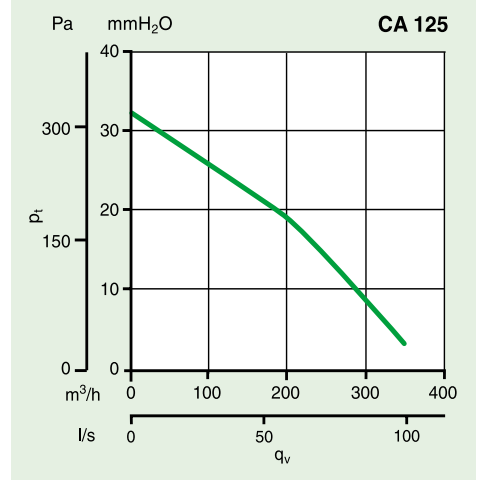
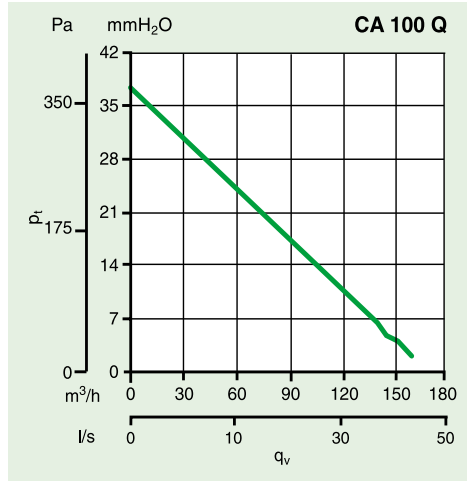
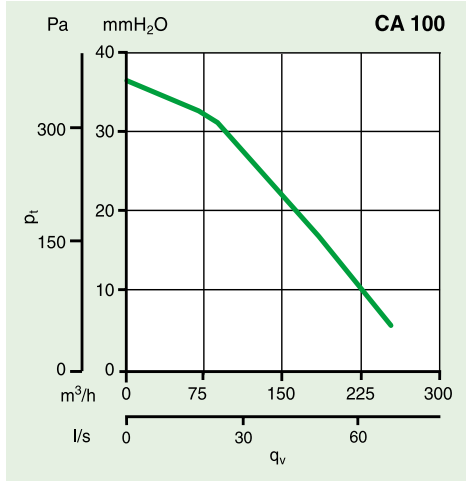
	A	B	C	D	E	F
Bracket	245	100	40	80	215	10

Accessories (description and data on pages 79/91).

Model	Code	Products
	SCNR (electronic speed controller)	12912* for all products (except code 16061)
	SCNR/M (electronic speed controller)	12982* 16061
	C 1.5 (electronic speed controller)	12966 for all products (except code 16050 - 16051 - 16060 - 16061)
	C 2.5 (electronic speed controller)	12967 16050 - 16051 - 16060 - 16061
	SCNRB (flush-fitting electronic speed controller)	12971 for all products
	SCB Kit (to convert SCNR to flush)	22481 12912 - 12982 - 12966 - 12967
	Lineo-S 100 (backdraught shutter)	22551 16000 - 16001
	Lineo-S 125 (backdraught shutter)	22556 16010 - 16011
	Lineo-S 150 (backdraught shutter)	22562 16020
	Lineo-S 160 (backdraught shutter)	22563 16070 - 16071
	Lineo-S 200 (backdraught shutter)	22566 16030 - 16040
	Lineo-S 250 (backdraught shutter)	22571 16050 - 16051
	Lineo-S 315 (backdraught shutter)	22576 16060 - 16061
	CA-G 100 (protection grille)	22750 16000 - 16001
	CA-G 125 (protection grille)	22755 16010 - 16011
	CA-G 150 (protection grille)	22760 16020
	CA-G 160 (protection grille)	22762 16070 - 16071
	CA-G 200 (protection grille)	22765 16030 - 16040
	CA-G 250 (protection grille)	22770 16050 - 16051
	CA-G 315 (protection grille)	22775 16060 - 16061
		GFI 10 (fixed grille)
GFI 12/15 (fixed grille)		22020 16010 - 16011 - 16020
	TRA 250 (protective grid)	51150 16030 - 16040 - 16050 - 16051
	TRA 350 (protective grid)	51350 16060 - 16061
	PGR 250 (gravity shutter)	50150 16050 - 16051
	PGR 300 (gravity shutter)	50250 16060 - 16061
	PGR 350 (gravity shutter)	50350 16060 - 16061

* Upon stock depletion

Pressure/performance curves



Octave Band (Hz)

CA	Code	63	125	250	500	1000	2000	4000	8000
CA 100	16000	47.2	56.8	71.3	64.6	66.0	64.0	57.8	52.5
CA 100 Q	16001	40.2	51.6	63.6	56.0	56.6	53.0	46.0	39.0
CA 125	16010	44.7	52.1	67.8	66.9	65.7	63.9	56.5	49.8
CA 125 Q	16011	38.3	40.5	57.0	56.0	52.5	47.6	39.0	34.0
CA 150	16020	46.8	51.6	66.0	66.0	65.2	63.5	59.0	51.0
CA 160	16070	52.5	64.0	77.8	73.7	73.7	70.2	68.1	62.8
CA 160 Q	16071	50.1	60.2	74.0	69.0	70.8	65.5	62.5	50.2
CA 200	16040	48.5	57.5	68.0	71.0	72.3	71.0	67.1	64.2
CA 200 Q	16030	44.7	51.1	67.5	66.8	71.0	73.3	66.6	54.2
CA 250	16050	52.0	60.8	70.0	71.1	70.1	68.5	65.2	63.8
CA 250 Q	16051	44.8	51.0	70.2	60.3	58.0	56.5	55.8	47.6
CA 315	16060	54.0	60.0	67.0	72.4	71.2	70.5	67.5	69.1
CA 315 Q	16061	54.4	58.5	68.6	70.4	70.0	70.3	69.3	67.0

TÜV CERTIFICATION

The measurements of the sound power have been carried out according to international standard EN-UNI 27779 / ISO-7779 / ISO-3741 / ISO-9296.

Pressure/performance curves

