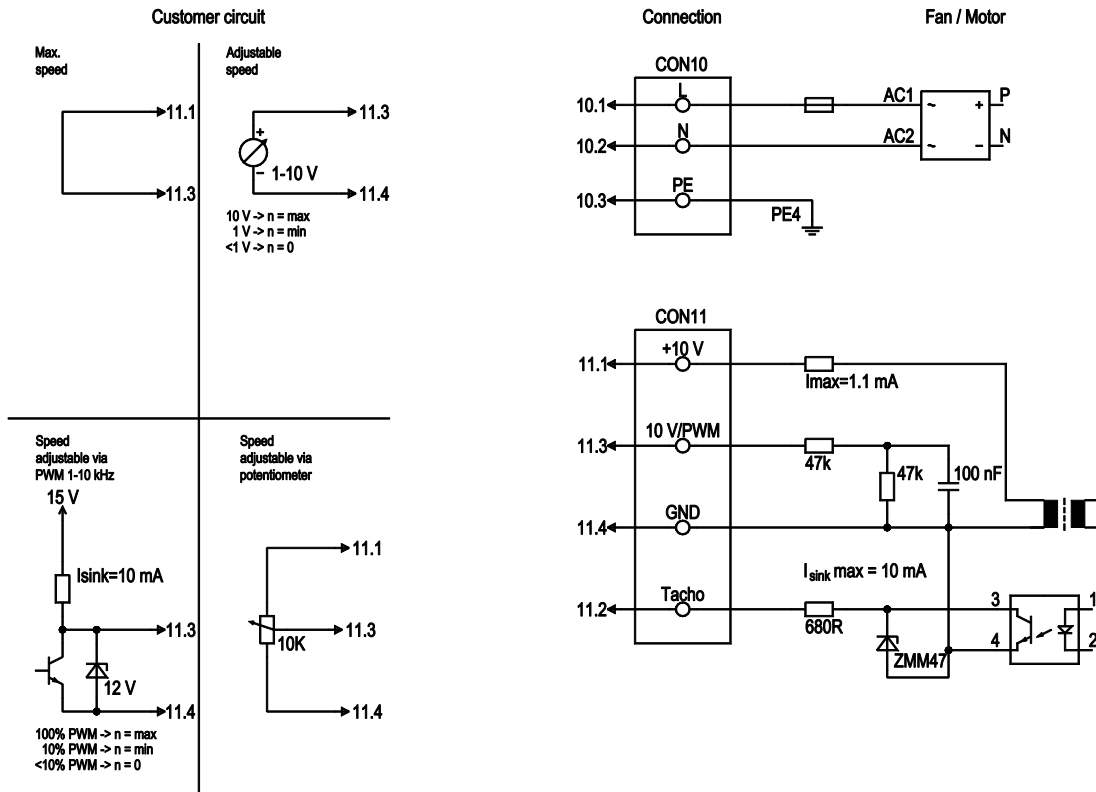


EC centrifugal fan

forward curved, dual inlet
with housing (flange)

Connection screen



No.	Conn.	Designation	Colour	Function / assignment
CON10	10.1	L	black	Power supply 230 VAC, 50-60 Hz, see type plate for voltage range
CON10	10.2	N		Neutral conductor
CON10	10.3	PE		Protective earth
CON11	11.1	10 V/max. 1.1mA	red	Voltage output 10 V / 1.1 mA, electrically isolated, not short-circuit-proof
CON11	11.2	Tacho		Tach output: Open collector, 1 pulse per revolution, electrically isolated, Isink max = 10 mA
CON11	11.3	0-10 V PWM	yellow	Control input 0-10 V or PWM, electrically isolated
CON11	11.4	GND	blue	GND connection for control interface

